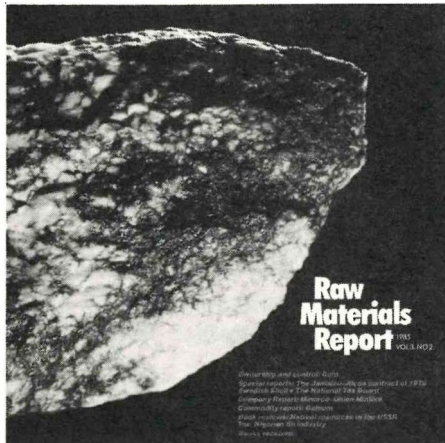
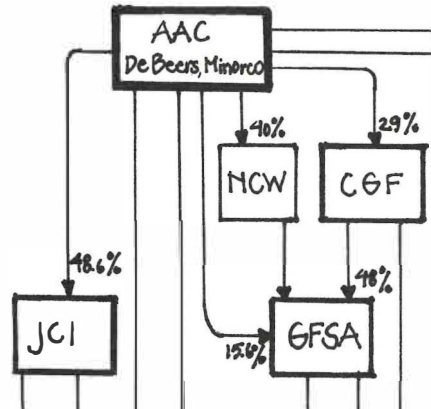


Cover



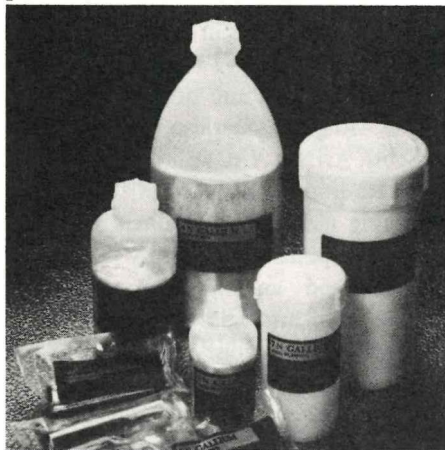
p6



p12



p24



p38



p46

**UNION  
MINIERE**

**MINORCO**

Cover

**Quartz reef with gold, Ashanti Gold Fields, Ghana.**  
Photo: courtesy by Lonrho plc

**12 The Jamaica-Alcoa contract of 1976**  
By Thomas W Wälde, Interregional Adviser for Natural Resources, Investment Policies and Legislation with the Natural Resources and Energy Division, Department of Technical Cooperation for Development, the United Nations, New York.

**46 Towards an association between Minorco and Union Minière?**  
By Jean-Luc Iwens, GRESEA, Brussels.

**54 Book reviews**

**56 Books received**

**4 Editorial**

**6 Ownership and control: the gold industry**  
By Andreas Tegen, the Raw Materials Group and Raw Materials Report.

**10 IBA today**  
Interview by RMR with Henry O Bovell, Secretary General of IBA.

**24 Gallium and the new metals**  
By Ulf Bergqvist, the National Institute of Occupational Safety and Health, Stockholm.

**38 Swedish Shell v The National Tax-board**  
Excerpts by RMR from a judgement by the Intermunicipal Fiscal Court of Appeal in Stockholm.

**Credits:**

p3 (left to right) Lonrho plc/Mats Andersson, RMR data, Agency for Public Information and Jamaica Bauxite Institute, Alusuisse, Royal Dutch Shell, Union Minière, p8 Carin Wanbo, p10-11 IBA; p12 Agency for Public Information and Jamaica Bauxite Institute; p24 Alusuisse; p32 Alusuisse (left) and RIFA, Stockholm.